

# Graphic OSD

7", 800 x 480 dot,  
65K color, Graphic  
OSD, Digital TFT  
Solution



DTD-0010A-DMB-A0

## Features

- Graphic OSD Menus and Effects
- Touch Panel, Keypad, Remote Control
- Innolux TFT panel (Hstar Panel Optional)
- Supports 4:3 to/from 16:9 conversion

## Introduction

The DTD-0010A-DMB-A0 DMB product demonstrates a complete Digital TFT panel application. It employs an AverLogic AL330 Display SOC, which is used with a separate Graphical OSD chipset to provide superb graphical OSD effects and full menu capabilities. This product supports video input using CVBS, YPbPr and Analog RGB.

The display is a 7" Innolux panel (Hstar panel is optional) with touch panel capabilities, allowing you to manipulate the OSD menu directly on the screen. The OSD can also be controlled with the on-board keyboard or an IR remote control.

## Features

- CVBS, YPbPr, Analog RGB video input
- NTSC, PAL, SECAM auto detection
- Con/Bri/Hue/Sat adjustment
- 16M flash for OSD menu images and text library
- UART/IIC interface for external unit control.
- OSD programmable blending, fade-in/ fade-out, overlap, transparent visual effects

## Application

### Medical Devices



### Car Seat Back



### Door Phones



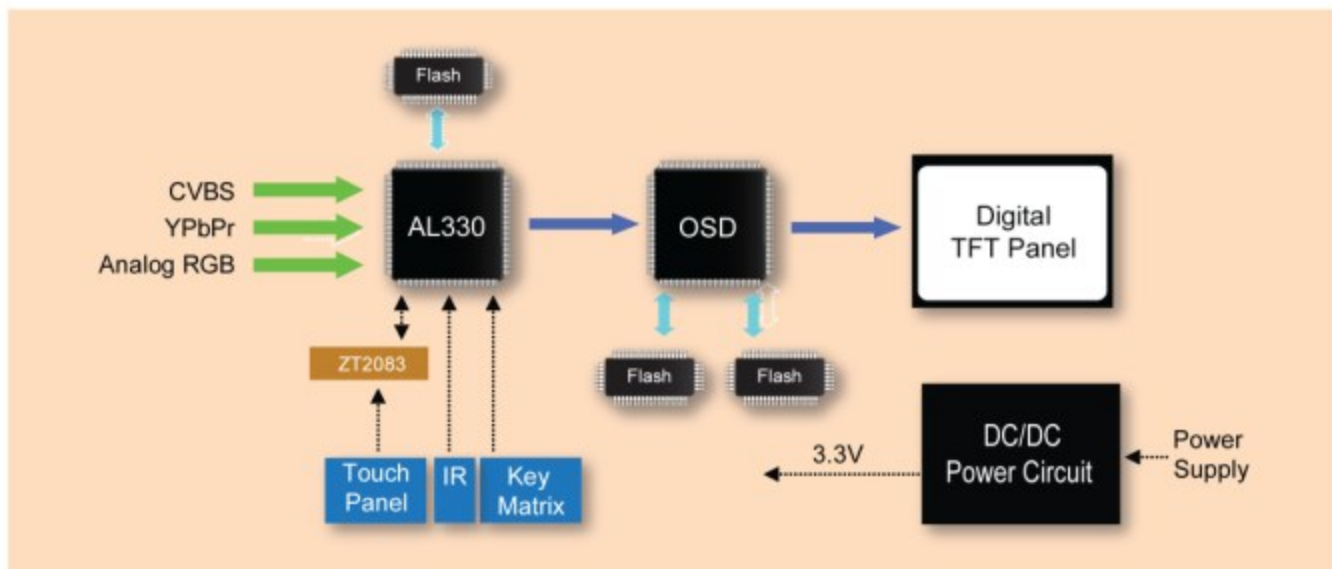
### Car DVD



### Portable DVD Player



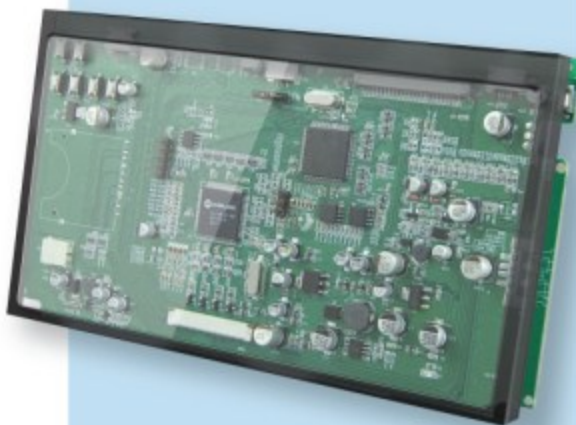
### BLOCK DIAGRAM



### Technical Specifications

Input Voltage (V)	DC 12V
Current (Voltage =12V)	Back Light ON - 450 mA Back Light OFF - 250 mA
Video Input	3 channel CVBS 1 channel YPbPr 1 channel Analog RGB
Panel Support	Innolux 7" TFT Digital panel (default) Hstar 7" TFT Digital Panel (optional)
Graphics & Text Memory	16M flash memory for storing menu graphics (pictures) and multi-language text library
Touch Panel	4-wire resistor touch screen
Keypad	1x5 Keypad
Remote Control	IR signals
Serial Port	8 data bits, 1 stop bit, no check bit 9600 bps (default)
IIC Port control	IIC communications control
Dimensions	176 mm x 108 mm
Operating Temperatures	-20 to +70 °C (limited by panel)

### DTD-0010A-DMB-A0



### InnoVision Electronics Ltd.

**Email Contact**  
sales@innovision-elec.com

**Telephone Contact**  
+86-755-88312324

**Website**  
www.innovision-elec.com

### Ordering Information

Launch Q3 2010

Part number	Demo Kit Package
DTD-0010A-DMB-A0	<ul style="list-style-type: none"> <li>■ DMB Board With TFT Panel</li> <li>■ Power Cord and Adapter</li> <li>■ DMB Board User manual</li> </ul>