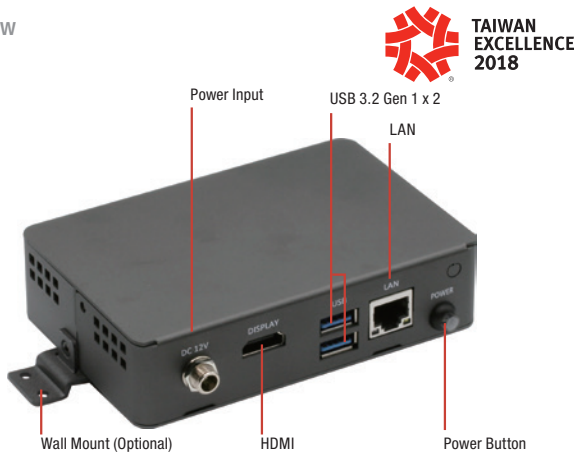


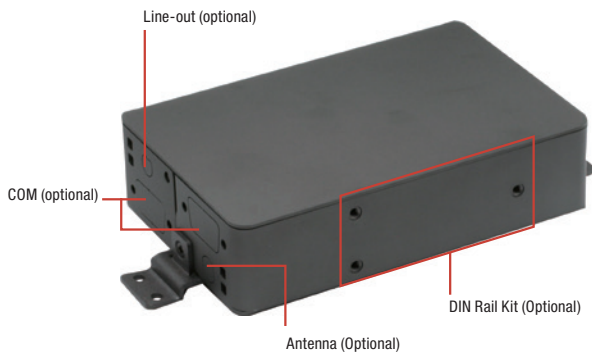
PICO-APL3-SEMI

Pico-ITX Embedded Barebone Kit with Intel® Atom™ Processor SoC

Front View



Rear View



With Heat Sink



Features

- 180g Extreme Light System, Easy To Adapter Everywhere
- Gigabit Ethernet for Networking Connection
- USB 3.2 Gen 1 Connectivity
- HDMI
- M.2 2280 (B) M.2 2230 (E) Slot for WiFi/3G/4G Bluetooth Module
- Fix Holes for Antenna, Wallmount, DIN-Rail Kit Optional
- Lockable 12V DC Input



Expansion Interface	M.2 2230 E key (For WIFI/BT Module)
Power Requirement	Normal: +12V
Power Supply Type	Lockable
Power Consumption	N4200 @ 4GB DRAM/eMMC 32GB, 12V @1.1A (Full Loading)
System Size	W/O heat sink: 4.8" x 3.15" x 1.18" (122 x 80 x 30 mm) W/ heat sink: 4.8" x 3.15" x 1.73" (122 x 80 x 44 mm)
Gross Weight	W/O heat sink: 0.4 lb (165g) W/ heat sink: 0.89 lb (407g)
Operation Temp.	32°F ~ 122°F (0°C ~ 50°C), 0.5 m/s airflow
Storage Temperature	-40°F ~ 176°F (-40°C ~ 80°C)
Humidity	0% ~ 90% relative humidity, non-condensing
MTBF	110,000
Display	
Chipset	Intel® SoC
Video Output	HDMI 1.4
Touch	—
I/O	
Storage/SSD	M.2 2280 x 1 (B-Key) eMMC 32GB, up to 128GB (optional)
USB Port	USB 3.2 Gen 1 x 2 (Rear IO) USB2.0 x 2 (Internal option)
Serial Port	Optional
Audio	Optional
Expansion Slot	RS-232 x 1, RS-232/422/485 x 1 (Optional)
Certification	
Certification	CE, FCC

Packing List

- PICO-APL3-SEMI

Optional Accessories

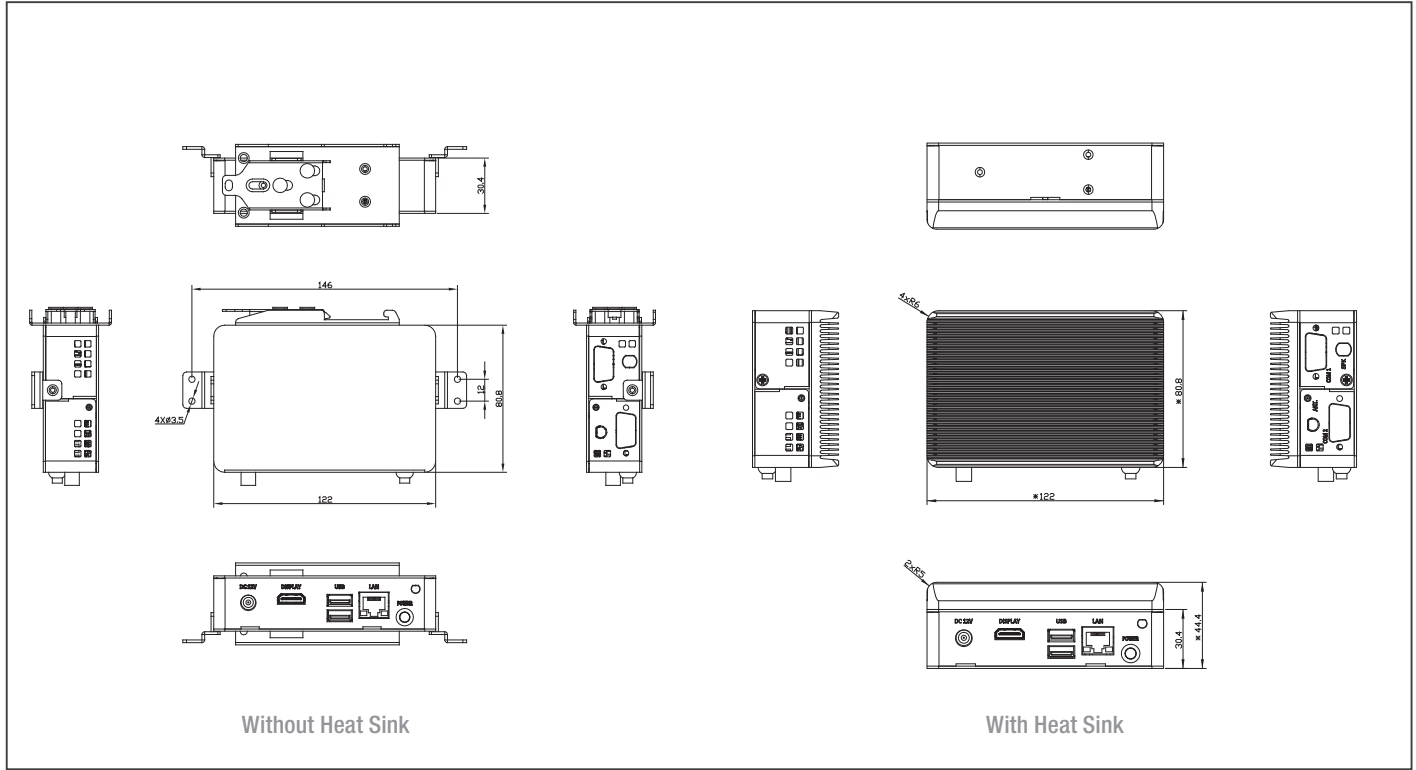
Part Number	Description	Qty.
125530040C	(TF)Power Adapter.12V.40W.FSP.FSP040-DHAN3	1
1702031802	Power Cord (US Type)	1
1702031803	Power Cord (European Type)	1
170203180E	Power Cord (Japan Type)	1
1701090122	COM Port Cable	2
1703100084	Audio Line-Out	1
9761SEMI00	Wallmount Kit	1
9761SEMI01	DIN-Rail Kit	1

Specifications

System	
Form Factor	Pico-ITX
Processor	Intel® Pentium® N4200 (4C, 1.1 GHz, up to 2.5 GHz, TDP 6W) Intel® Celeron® N3350 (2C, 1.1 GHz, up to 2.4 GHz, TDP 6W) *Wait for E3900 series in 2019 within ATRF according
System Memory	DDR3L, memory down, up to 4GB
Chipset	Intel® SoC
Ethernet	Realtek 8111G x 1 10/100/1000Mbps, RJ-45 x 1
BIOS	AMI BIOS
Wake on LAN	Yes
Watchdog Timer	255 Levels

Dimension

Unit: mm



Without Heat Sink

With Heat Sink

Installation Scenario

DIN-Rail Mount Illustration



Wall Mount Illustration



DIN Rail and Wall Mount Kit are optional parts.

Ordering Information

Part Number	CPU	Memory	Thermal	Display	Storage	LAN	USB	Expansion Slot	Power	Power Temp	Others
PICO-APL3-SEMI-A10-FS01	Celeron® N3350 (Dual Core)	On board DDR3L 2GB	W/ heat sink	HDMI x 1	SATAIII x 1, M.2 2280 (B Key) x 1, eMMC 32GB	GbE x 1	USB 3.2 Gen 1 x 2 (Rear)	M.2 2230 (E Key) x 1	+12V (ATX)	0°C ~ 50°C @ 0.5 m/s airflow	COM (Optional) Line-Out (Optional)
PICO-APL3-SEMI-A10-FS02	Celeron® N3350 (Dual Core)	On board DDR3L 4GB	W/ heat sink	HDMI x 1	SATAIII x 1, M.2 2280 (B Key) x 1, eMMC 32GB	GbE x 1	USB 3.2 Gen 1 x 2 (Rear)	M.2 2230 (E Key) x 1	+12V (ATX)	0°C ~ 50°C @ 0.5 m/s airflow	COM (Optional) Line-Out (Optional)
PICO-APL3-SEMI-A10-FS03	Pentium® N4200 (Quad Core)	On board DDR3L 4GB	W/ heat sink	HDMI x 1	SATAIII x 1, M.2 2280 (B Key) x 1, eMMC 32GB	GbE x 1	USB 3.2 Gen 1 x 2 (Rear)	M.2 2230 (E Key) x 1	+12V (ATX)	0°C ~ 50°C @ 0.5 m/s airflow	COM (Optional) Line-Out (Optional)
PICO-APL3-SEMI-A10-FS04	Celeron® N3350 (Dual Core)	On board DDR3L 2GB	W/O heat sink	HDMI x 1	SATAIII x 1, M.2 2280 (B Key) x 1, eMMC 32GB	GbE x 1	USB 3.2 Gen 1 x 2 (Rear)	M.2 2230 (E Key) x 1	+12V (ATX)	0°C ~ 50°C @ 0.5 m/s airflow	COM (Optional) Line-Out (Optional)
PICO-APL3-SEMI-A10-FS05	Celeron® N3350 (Dual Core)	On board DDR3L 4GB	W/O heat sink	HDMI x 1	SATAIII x 1, M.2 2280 (B Key) x 1, eMMC 32GB	GbE x 1	USB 3.2 Gen 1 x 2 (Rear)	M.2 2230 (E Key) x 1	+12V (ATX)	0°C ~ 50°C @ 0.5 m/s airflow	COM (Optional) Line-Out (Optional)
PICO-APL3-SEMI-A10-FS06	Pentium® N4200 (Quad Core)	On board DDR3L 4GB	W/O heat sink	HDMI x 1	SATAIII x 1, M.2 2280 (B Key) x 1, eMMC 32GB	GbE x 1	USB 3.2 Gen 1 x 2 (Rear)	M.2 2230 (E Key) x 1	+12V (ATX)	0°C ~ 50°C @ 0.5 m/s airflow	COM (Optional) Line-Out (Optional)