



File Name	Specification For 0.97" EPD	Module Number	E0097A03
Version	A0	Page Number	1 of 20

Specification for 0.97"EPD




Model NO.: E0097A03

Product VER: A0

Customer Approval

Customer	
Approval By	
Date Of Approval	

It will be agreed by the receiver, if not sign back the Specification within 15days.

Prepared By	Checked By	Approval By
		



File Name	Specification For 0.97" EPD	Module Number	E0097A03
Version	A0	Page Number	3 of 20

CONTENTS

1.General Description	4
2.Features	4
3.Typical Application	4
4.Mechanical Specifications	5
5.Mechanical Drawing of EPD module	6
6.Input/output Terminals	7
7.Reference Circuit	9
8.Absolute Maximum Rating	11
9.DC Characteristics	11
10.Power Consumption	12
11.Optical Characteristics	12
11.1Optical Measurement Conditions	12
11.2Optical Measurement	12
11.3Definition of Contrast ratio	13
11.4Reflection Ratio	13
12.Handling Safety And Environmental Requirements	15
13.Reliability Test	16
14.Block Diagram	17
15.Shipment Inspection Specification	17
15.1Zone Definition	17
15.2Line/Spot defect size	17
15.3Point and line standard	18
15.4Barcode	19
16.Packing	20



File Name	Specification For 0.97" EPD	Module Number	E0097A03
Version	A0	Page Number	4 of 20

1. General Description

E0097A03 is an Active Matrix Electrophoretic Display (AMEPD), with interface and a reference system design. The 0.97" active area contains 96*200 pixels, and has B/W full display capabilities. An integrated circuit contains gate buffer, source buffer, interface, timing control logic, oscillator, DC-DC, SRAM, LUT, VCOM and border are supplied with each panel.

2. Features

- 96*200 pixels display
- High contrast
- High reflectance
- Ultra wide viewing angle
- Ultra low power consumption
- Pure reflective mode
- Bi-stable display
- Commercial temperature range
- Landscape, portrait modes
- Hard-coat antiglare display surface
- Ultra Low current deep sleep mode
- On chip display RAM
- Low voltage detect for supply voltage
- High voltage ready detect for driving voltage
- Internal temperature sensor
- Waveform stored in On-chip OTP
- 10-byte OTP space for module identification
- Serial peripheral interface available
- On-chip oscillator
- On-chip booster and regulator control for generating VCOM, Gate and Source driving voltage
- I2C signal master interface to read external temperature sensor/ built-in temperature sensor

3. Typical Application

Electronic Shelf Label System



File Name	Specification For 0.97" EPD	Module Number	E0097A03
Version	A0	Page Number	5 of 20

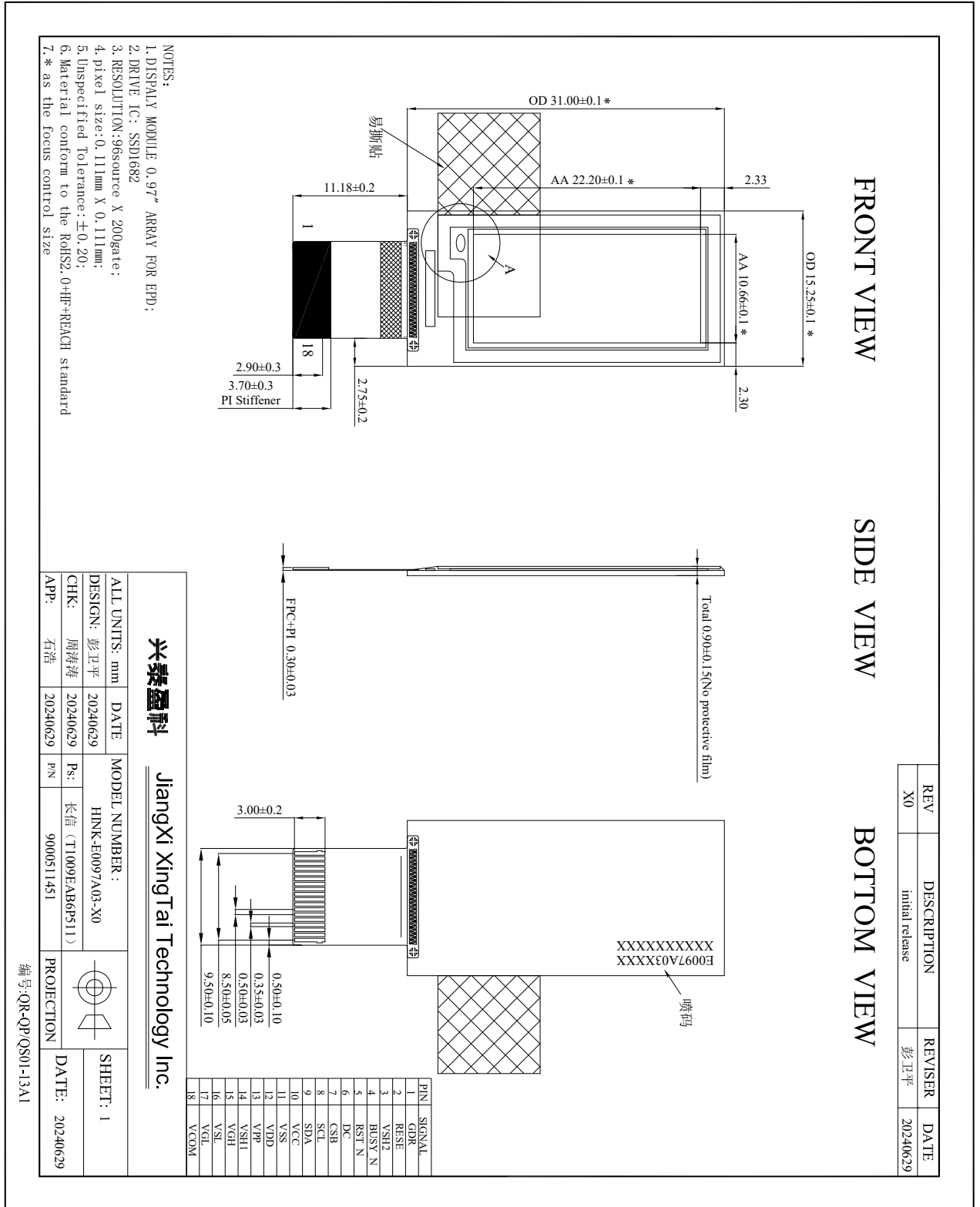
4. Mechanical Specifications

Parameter	Specifications	Unit	Remark
Screen Size	0.97	Inch	
Display Resolution	96(H)×200(V)	Pixel	Dpi:228
Active Area	10.66(H)×22.20(V)	mm	
Pixel Pitch	0.111*0.111	mm	
Pixel Configuration	Rectangle		
Outline Dimension	15.25(H)×31.00 (V) ×0.9(D)	mm	Without masking film
Weight	1.0±0.5	g	



File Name	Specification For 0.97" EPD	Module Number	E0097A03
Version	A0	Page Number	6 of 20

5. Mechanical Drawing of EPD module





File Name	Specification For 0.97" EPD	Module Number	E0097A03
Version	A0	Page Number	7 of 20

6. Input/output Terminals

Pin #	Single	Description	Remark
1	GDR	This pin is N-MOS gate control.	
2	RESE	Current sense input for control loop.	
3	VSH2	Positive source voltage for Red	
4	BUSY_N	This pin indicates the driver status.	Note 6-4
5	RST_N	Global reset pin	Note 6-3
6	DC	Serial communication Command/Data input	Note 6-2
7	CSB	Serial communication chip select.	Note 6-1
8	SCL	Serial communication clock input.	
9	SDA	Serial communication data input.	
10	VCC	Digital/Analog power.	
11	VSS	Digital ground	
12	VDD	1.5V voltage input & output	
13	VPP	OTP program power (10V)	
14	VSH1	Positive source voltage	
15	VGH	Positive gate voltage	
16	VSL	Negative source voltage.	
17	VGL	Negative gate voltage.	
18	VCOM	VCOM driving voltage	

- Note 6-1: This pin (CSB) is the chip select input connecting to the MCU. The chip is enabled for MCU communication: only when CSB is pulled LOW.
- Note 6-2: This pin (DC) is Data/Command control pin connecting to the MCU. When the pin is pulled HIGH, the data will be interpreted as data. When the pin is pulled LOW, the data will be interpreted as command.
- Note 6-3: This pin (RST_N) is reset signal input. The Reset is active low.
- Note 6-4: This pin (BUSY_N) is busy state output pin. When Busy is High, the operation of chip should not be interrupted and any commands should not be issued to the module. The driver IC will put Busy pin High when the driver IC is working such as: Outputting display waveform; Communicating with digital temperature sensor
- Note 6-5: This pin (BS) is for 3-line SPI or 4-line SPI selection. When it is "Low", 4-line SPI is selected. When it is "High", 3-line SPI (9 bits SPI) is selected.



File Name	Specification For 0.97" EPD	Module Number	E0097A03
Version	A0	Page Number	8 of 20

7. Reference Circuit

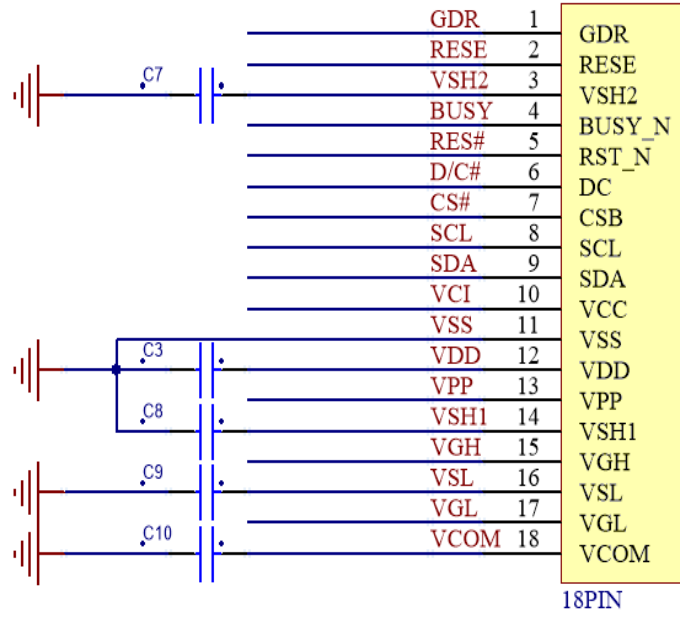


Figure. 7-1

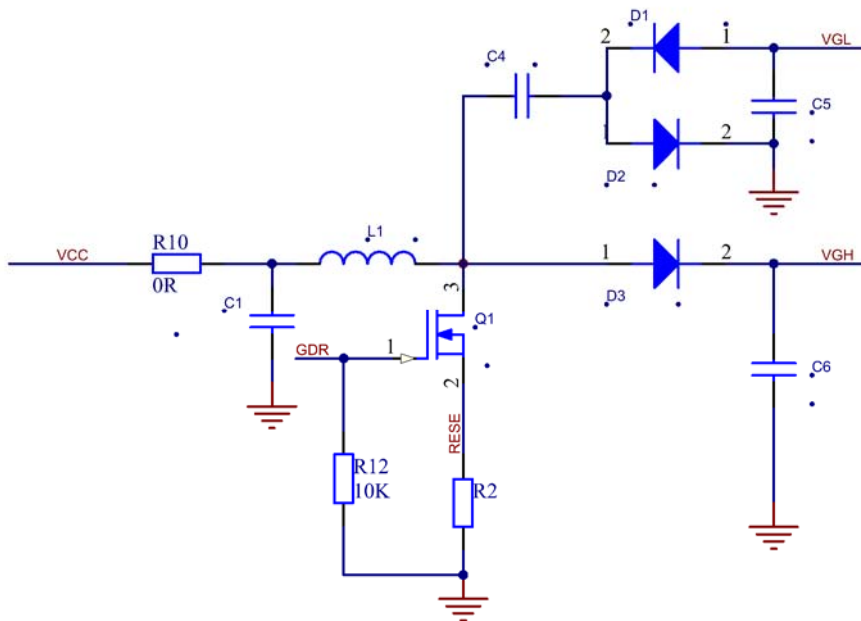


Figure. 7-2



File Name	Specification For 0.97" EPD	Module Number	E0097A03
Version	A0	Page Number	9 of 20

Table. 7-3

Part Name	Value/Type	Value /requirement/Reference Part
C0-C1	1uF	X5R/X7R; Voltage Rating : 6V or 25V
C2-C7	1uF	0402/0603/0805; X5R/X7R; Voltage Rating : 25V
C8	0.47uF, 1uF	0402/0603/0805; X5R/X7R; Voltage Rating : 25V
R1	2.2 ohm	0402/0603/0805; 1% variation, 0.05W
D1-D3	Diode	MBR0530 1) Reverse DC voltage 30V 2) Io:500mA 3) Forward voltage \leq 430mV
Q1	NMOS	Si1304BDL/NX3008NBK 1) Drain-Source breakdown Voltage=30V (min) 2) Vgs(th)=0.9V(Typ),1.3V(Max) 3) Rds on \leq 2.1 Ω & Vgs=2.5V
L1	47uH	CDRH2D18/LDNP-470NC Io=500(Max)
CON24Pin	0.5mm ZIF Socket	24Pins,0.5mm pitch



File Name	Specification For 0.97" EPD	Module Number	E0097A03
Version	A0	Page Number	10 of 20

8. ABSOLUTE MAXIMUM RATING

Parameter	Symbol	Rating	Unit	Humidity	Unit	Note
Logic Supply voltage	VCC,VDDIO	-0.5~6.0	V	45~70	%RH	Note 8-1
Operation temperature range	TOPR	0~50	°C	45~70	%RH	Note 8-4
Storage temperature range	TSTG	-25~60	°C	45~70	%RH	Note 8-2
Transportation temperature range	TTTG	-25~60	°C	45~70	%RH	Note 8-3
GND	Ground	-	-		-	Connect to Ground

Note 8-1: Maximum ratings are those values beyond which damages to the device may occur. VCC: Digital power, VDDIO: IO power. Functional operation should be restricted to the limits in the Electrical Characteristics chapter.

Note 8-2: The display effect may be affected if the product is stored for more than 10days under the environment of above 60 degree. The recommended long storage temperature is 10°C~30°C.

Note 8-3: TTTG is the transportation condition, the transport time is within 10 days for -25°C~0°C/40°C~60°C or within 5 days for 60°C~70°C

Note 8-4: The single pixel effect under the condition of above 35 degree cannot be guaranteed. The product can operate under the temperature -15~0°C or 50~65°C, but the display effect cannot be guaranteed.

9. DC Characteristics

The following specifications apply for: VSS=0V, VCC=3.0V, TOPR=25±2°C.

Symbol	Parameter	Test Condition	Applicable pin	Min.	Typ.	Max.	Unit
VCC	VCC operation voltage	-	VCC	2.4	3.0	3.6	V
VIH	High level input voltage	-	SDA, SCL, CS#, D/C#, RES#, BS1	0.8VDDIO	-	-	V
VIL	Low level input voltage	-		-	-	0.2VDDIO	V
VOH	High level output voltage	IOH = -100uA	BUSY,	0.9VDDIO	-	-	V
VOL	Low level output voltage	IOL = 100uA		-	-	0.1VDDIO	V
Iupdate	Module operating current	-	-	-	-	8	mA
Isleep	Deep sleep mode	VCC=3.0V	-	-	-	3	uA

- The listed electrical/optical characteristics are only guaranteed under the controller & waveform provided by XingTai.

- VCOM value will be OTP before in factory.

10. Power Consumption

Parameter	Symbol	Conditions	TYP	Max	Unit	Remark
Panel power consumption during update	-	25°C		80	mAs	-



File Name	Specification For 0.97" EPD	Module Number	E0097A03
Version	A0	Page Number	11 of 20

MA_s=update Average current ×update time

The Typical power consumption is measured using associated 25°C waveform with following pattern:



11. Optical characteristics

11.1 Optical Measurement Conditions

Item	Symbol	Value	Unit	Note
Ambient Temperature	Ta	25±2	°C	Indoor testing
Ambient Humidity	Ha	50±5	%RH	-
Supply Voltage	VCC, VDDIO	3.0	V	-
illuminance	-	800~1300	Lux	

Note 11-1: Image is updated with above condition

11.2 Optical Measurement

WS: White state, BS: Black state, RS: Red state

SYMBOL	PARAMETER	CONDITIONS	MIN	TYP.	MAX	UNIT	Note
△E	ghosting	-	-	-	2		-
BS	Black State L* value		-	-	20		Note 11-2
WS	White State L* value		66	-	-		Note 11-2

Note 11-2: Luminance meter: Eye - One Pro Spectrophotometer

Note 11-3: We don't guarantee 5 years pixels display quality for humidity below 45%RH or above 70%RH; Suggest Updated once a day;

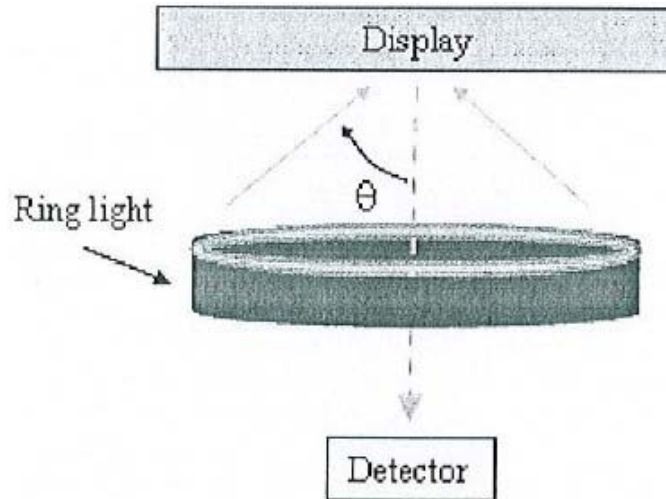
Note 11-4: To increase the black and white screen clear screen when red has refreshed for a long time, the effect is better.



File Name	Specification For 0.97" EPD	Module Number	E0097A03
Version	A0	Page Number	12 of 20

11.3 Definition of contrast ratio

The contrast ratio (CR) is the ratio between the reflectance in a full white area (Rl) and the reflectance in a dark area (Rd): Rl: white reflectance Rd: dark reflectance
 $CR = Rl/Rd$

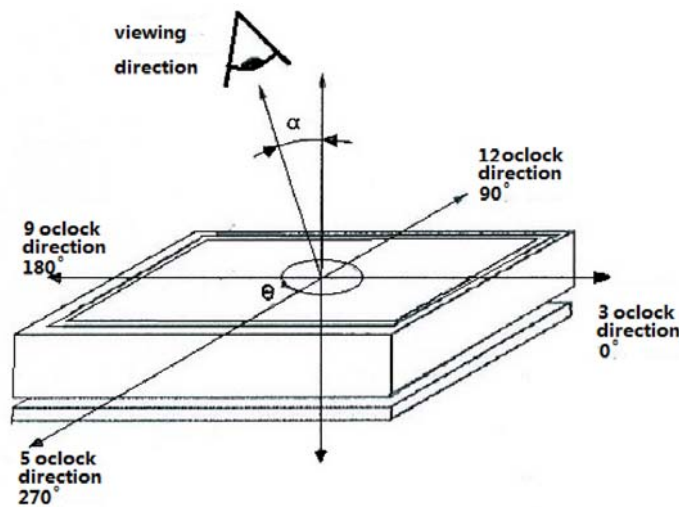


11.4 Reflection Ratio

The reflection ratio is expressed as:

$R = \text{Reflectance Factor white board} \times (L_{\text{center}} / L_{\text{white board}})$

L_{center} is the luminance measured at center in a white area ($R=G=B=1$). $L_{\text{white board}}$ is the luminance of a standard white board. Both are measured with equivalent illumination source. The viewing angle shall be no more than 2 degrees.





File Name	Specification For 0.97" EPD	Module Number	E0097A03
Version	A0	Page Number	13 of 20

12. Handling Safety and Environmental Requirements

WARNING

The display module should be kept flat or fixed to a rigid, curved support with limited bending along the long axis. It should not be used for continual flexing and bending. Handle with care. Should the display break do not touch any material that leaks out. In case of contact with the leaked material then wash with water and soap.

CAUTION

The display module should not be exposed to harmful gases, such as acid and alkali gases, which corrode electronic components.

Disassembling the display module can cause permanent damage and invalidate the warranty agreements.

IPA solvent can only be applied on active area and the back of a glass. For the rest part, it is not allowed.

Observe general precautions that are common to handling delicate electronic components. The glass can break and front surfaces can easily be damaged. Moreover the display is sensitive to static electricity and other rough environmental conditions.

Mounting Precautions

- (1) It's recommended that you consider the mounting structure so that uneven force (ex. Twisted stress) is not applied to the module.
- (2) It's recommended that you attach a transparent protective plate to the surface in order to protect the EPD. Transparent protective plate should have sufficient strength in order to resist external force.
- (3) You should adopt radiation structure to satisfy the temperature specification.
- (4) Acetic acid type and chlorine type materials for the cover case are not desirable because the former generates corrosive gas of attacking the PS at high temperature and the latter causes circuit break by electro-chemical reaction.
- (5) Do not touch, push or rub the exposed PS with glass, tweezers or anything harder than HB pencil lead. And please do not rub with dust clothes with chemical treatment. Do not touch the surface of PS for bare hand or greasy cloth. (Some cosmetics deteriorate the PS)
- (6) When the surface becomes dusty, please wipe gently with absorbent cotton or other soft materials like chamois soaks with petroleum benzene. Normal-hexane is recommended for cleaning the adhesives used to attach the PS. Do not use acetone, toluene and alcohol because they cause chemical damage to the PS.
- (7) Wipe off saliva or water drops as soon as possible. Their long time contact with PS causes deformations and color fading.

Data sheet status



File Name	Specification For 0.97" EPD	Module Number	E0097A03
Version	A0	Page Number	14 of 20

Product specification	The data sheet contains final product specifications.
-----------------------	---

Limiting values
Limiting values given are in accordance with the Absolute Maximum Rating System (IEC 134). Stress above one or more of the limiting values may cause permanent damage to the device. These are stress ratings only and operation of the device at these or any other conditions above those given in the Characteristics sections of the specification is not implied. Exposure to limiting values for extended periods may affect device reliability.
Application information
Where application information is given, it is advisory and dose not form part of the specification.

Product Environmental certification
ROHS
REMARK
All The specifications listed in this document are guaranteed for module only. Post-assembled operation or component(s) may impact module performance or cause unexpected effect or damage and therefore listed specifications is not warranted after any Post-assembled operation.



File Name	Specification For 0.97" EPD	Module Number	E0097A03
Version	A0	Page Number	15 of 20

13. Reliability test

13.1 Reliability test items

	TEST	CONDITION	METHOD	REMARK
1	High-Temperature Operation	T=40°C, RH=35%RH, For 240Hr		
2	Low-Temperature Operation	T = 0°C for 240 hrs		
3	High-Temperature Storage	T=60°C RH=35%RH For 240Hr Test in white pattern		
4	Low-Temperature Storage	T = -25°C for 240 hrs Test in white pattern		
5	High Temperature, High-Humidity Operation	T=40°C, RH=90%RH, For 168Hr		
6	High Temperature, High-Humidity Storage	T=60°C, RH=80%RH, For 240Hr Test in white pattern		
7	Temperature Cycle	-25°C(30min)~70°C(30min), 50 Cycle Test in white pattern		
8	Package Vibration	1.04G, Frequency : 10~500Hz Direction : X, Y, Z Duration: 1 hours in each direction	Full packed for shipment	
9	Package Drop Impact	Drop from height of 100 cm on Concrete surface Drop sequence: 1 corner, 3 edges, 6 face One drop for each.	Full packed for shipment	
10	UV exposure Resistance	765 W/m ² for 168hrs, 40°C		
11	ESD test	Operation/Non-operation, contact mode ±2KV/Air mode ±8KV		

Actual EMC level to be measured on customer application.

Note1: Stay white pattern for storage and non-operation test.

Note2: Power off duration time is 30s

Note3: Continue testing after 2 hours at 20C~25C°C

13.2 Product life time

The EPD Module is designed for a 5-year life-time with 25 °C/60%RH operation assumption. Reliability estimation testing with accelerated life-time theory would be demonstrated to provide confidence of EPD lifetime.

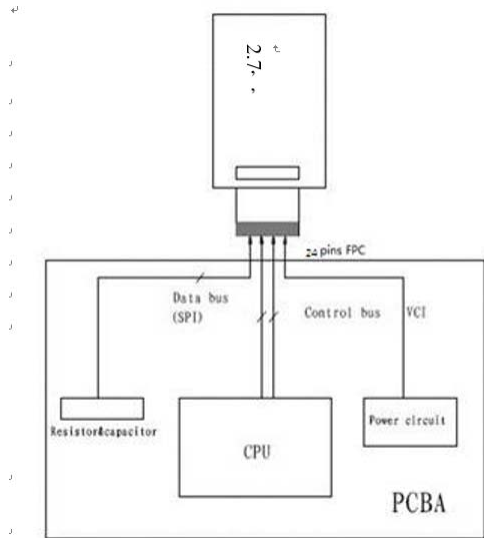
13.3 Product warranty

Warranty conditions have to be negotiated between Xingtai and individual customers. Xingtai provides 12+1(one month delivery time) months warranty for all products which are purchased from Xingtai.



File Name	Specification For 0.97" EPD	Module Number	E0097A03
Version	A0	Page Number	16 of 20

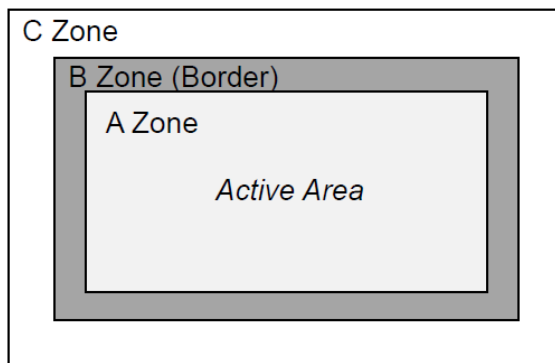
14. Block Diagram



15. Shipment inspection specification

15.1 Zone Definition

- A Zone: Active Area
- B Zone: Border Area
- C Zone: From B Zone edge to panel edge



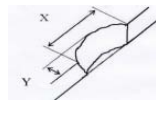
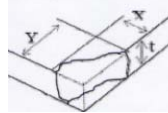
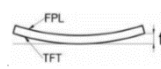
15.2 Line/Spot defect size





File Name	Specification For 0.97" EPD	Module Number	E0097A03
Version	A0	Page Number	17 of 20

15.3 Point and line standard

Shipment Inspection Standard						
Equipment: Electrical test fixture, Point gauge						
Outline dimension	15.25(H)×31.00(V) ×0.9(D)	Unit: mm	Part-A	Active area	Part-B	Border area
Environment	Temperature	Humidity	illuminance	Distance	Time	Angle
		19°C~25°C	50±5%RH	800~1300Lux	300 mm	35Sec
Defect type	Inspection method	Standard		Part-A	Part-B	
FPL/Spot	Visual/Film card	D≤0.25 mm		Ignore	Ignore	
		0.25 mm < D ≤ 0.4 mm		N≤4	Ignore	
		D > 0.4 mm		Not Allow	Ignore	
FPL/Damage	Visual/Film card	L≤2, W≤0.1mm		N≤4	Ignore	
		2mm<L≤5mm, 0.1mm<W≤0.3mm		N≤1	Ignore	
		L>5mm, W>0.3mm		Not Allow	Ignore	
FPL/Dirt	Visual/Film card	L≤1, W≤0.03mm		Ignore	Ignore	
		0.03mm<W≤0.25mm; L≤4		N≤4	Ignore	
		L>4mm, W>0.25mm		Not Allow	Ignore	
Display malfunction	Electric Display	Not Allow		Not Allow	Ignore	
Display error	Electric Display	Not Allow		Not Allow	Ignore	
TFT Scratch or line defect(include dirt)	Visual/Film card	L≤2 mm, W≤0.2 mm		Ignore	Ignore	
		2.0mm < L ≤ 9.0mm, 0.2 < W ≤ 0.3mm,		N≤4	Ignore	
		L > 9 mm, W > 0.3 mm		Not Allow	Ignore	
TFT Corner /Edge chipping	Visual/Film card	X≤6mm, Y≤0.4mm, Do not affect the electrode circuit (Edge chipping) Ignore				
		X≤1mm, Y≤1mm, Do not affect the electrode circuit((Corner chipping) Ignore				
		 				
TFT warping	For 1.54~7.5inch, T≤2mm; For above 7.5inch, T≤3mm					



File Name	Specification For 0.97" EPD	Module Number	E0097A03
Version	A0	Page Number	18 of 20

PS/bubble	Visual/Film card	$D \leq 0.2\text{mm}$	Ignore	Ignore
		$0.42 < D \leq 0.3\text{mm}$	$N \leq 4$	Ignore
		$D > 0.3\text{mm}$	Not Allow	Ignore
PS/Dirt	Visual/Film card	$L \leq 1\text{ mm}, W \leq 0.03\text{ mm}$	Ignore	Ignore
		$L \leq 4\text{ mm}, 0.03 < W \leq 0.25\text{ mm}$	$N \leq 4$	Ignore
		$W > 0.25\text{mm}; L > 4\text{mm}$	Not Allow	Ignore
PS/Scratch	Visual/Film card	$L \leq 2\text{ mm}, W \leq 0.1\text{ mm}$	$N \leq 4$	Ignore
		$2\text{mm} < L \leq 4\text{ mm}, W \leq 0.3\text{ mm}$	$N \leq 2$	Ignore
		$W > 0.3\text{mm}; L > 4\text{mm}$	Not Allow	Ignore
Remark	1. Cannot be defect & failure cause by appearance defect;			
	2. Cannot be larger size cause by appearance defect;			
	L=long W=wide D=point size N=Defects NO			



File Name	Specification For 0.97" EPD	Module Number	E0097A03
Version	A0	Page Number	19 of 20

15.4 Barcode



FF

ABBBBBBBBB

CCCDDDEEEE

What is the QR code after picture being scanned and read? It consist of 30 numbers and letters, here is explanation for it.

QR Code: ABBBBBBBBBFFCCDDDEEEEGHIJKLL

- ① A means Factory code, e.g.: H (HINK)
- ② BBBBBBBBBB refers to product model name, which is in consistent with specification part number. E.g.: E0213A189 or E0266A120; when the total code is less than 9, it would be added suffix with **. e.g.: E027A45** or E0154A78*
- ③ FF means production workshop
- ④ CCC means date of production
- ⑤ DDD means production batch
- ⑥ EEEE means FPL lot
- ⑦ G means MP/Sample/Trial/Repair
- ⑧ HIJ:(H——TFT;I——PS;J——EC Glue)
- ⑨ KK means IC type
- ⑩ LL means serial number



File Name	Specification For 0.97" EPD	Module Number	E0097A03
Version	A0	Page Number	20 of 20

16. Packing

Full carton: 12 pcs tray with products and 1 pcs empty tray.

Last carton: less 12pcs tray with products and 1 pcs empty tray. The packager will add the right amount of EPE to box so that the added EPE's height approximately close to the EPE height around the inside of the box.

